

TouchScreen Series

Model: PRT-NTS

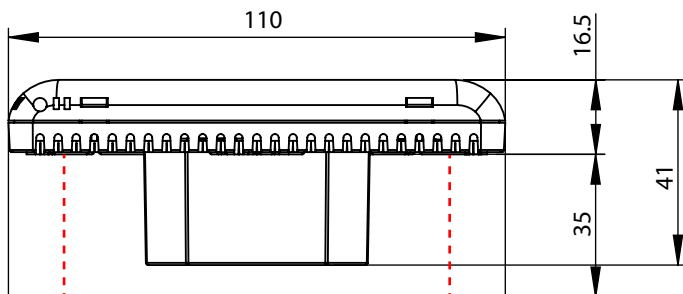


| | | | |
|----------------------------|---|-------------------------------------|---------------------------|
| Blue Back Lit Screen | Y | °C / °F Option | Y |
| 5/2 Day Programming Mode | Y | Built In Sensor | Y |
| 7 Day Programming Mode | Y | Remote Air Sensing Mode | N |
| Number of Heating Levels | 4 | Floor Sensing Mode | N |
| Optimum Start | Y | Remote Probe Included | N |
| Number of HW Times | 0 | Max Switching Current | 3A |
| Holiday Function | Y | Accuracy | +/-1°C |
| Keylock Function | Y | Adjustable Switching Differential | 0.5 - 3°C |
| Temperature Hold Function | Y | Supply | 12VDC |
| Temperature Override | Y | Rating | 3A |
| Temperature Override Limit | Y | Installed Dimensions (L,H,D) | 100 x 110 x 16.5mm |
| Frost Protection | Y | Weight | 189g |
| Networking Facility | Y | | |

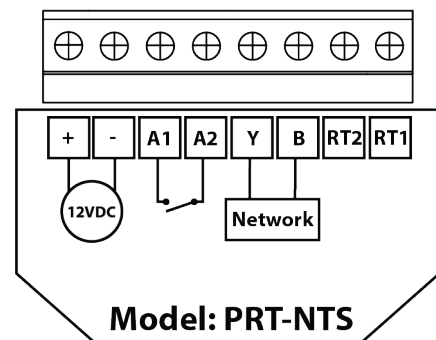
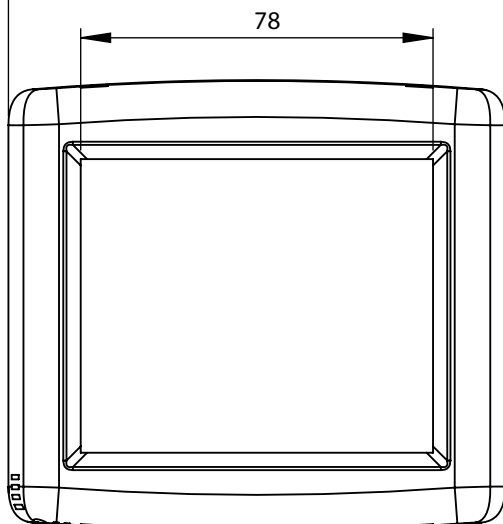
Feature Table

| FEATURE | DESCRIPTION | SETTING |
|---------|------------------------------|--|
| 01 | Temperature Format | 00 = °C, 01 = °F (°C = Default) |
| 02 | Switching Differential | 0.5° - 03°C (Default 1.0°C) |
| 03 | Frost Mode | 00 = Disabled, 01 = Enabled (01 = Default) |
| 04 | Frost Protection Temperature | 07° - 17°C (Default 12°C) |
| 05 | Output Delay | 00 - 15 Minutes (00 = Default) |
| 06 | Communications ID No. | Set unique comms address (01-32) |
| 07 | Up/Down Temperature Limit | 00° - 10°C (00 = Default) |
| 08 | Sensor Selection | Built in Sensor Only |
| 09 | Floor Temperature Limit | Not used on this model |
| 10 | Optimum Start | 00 - 03 Hours (00 = Default) |
| 11 | Rate of Change | Minutes to raise by 1°C |
| 12 | Program Mode | 00 = Weekday/Weekend, 01 = 7 Day Programming |

Product Dimensions (mm) & Wiring Specification



Note: Fits standard 35mm depth back box



Wiring Detail

