

TouchScreen Series

Model: PRT-TS

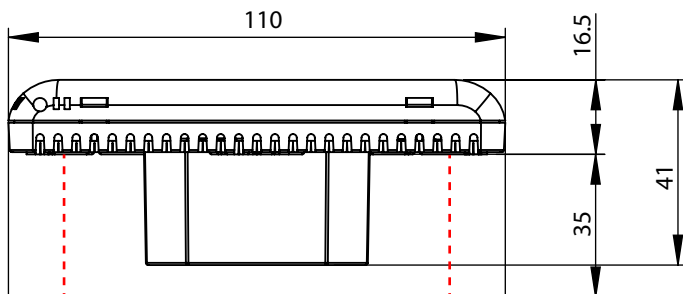


Blue Back Lit Screen	Y	°C / °F Option	Y
5/2 Day Programming Mode	Y	Built In Sensor	Y
7 Day Programming Mode	Y	Remote Air Sensing Mode	N
Number of Heating Levels	4	Floor Sensing Mode	N
Optimum Start	Y	Remote Probe Included	N
Number of HW Times	0	Max Switching Current	3A
Holiday Function	Y	Accuracy	+/-1°C
Keylock Function	Y	Adjustable Switching Differential	0.5 - 3°C
Temperature Hold Function	Y	Supply	230VAC
Temperature Override	Y	Rating	3A
Temperature Override Limit	Y	Installed Dimensions (L,H,D)	100 x 110 x 16.5mm
Frost Protection	Y	Weight	192g
Networking Facility	N		

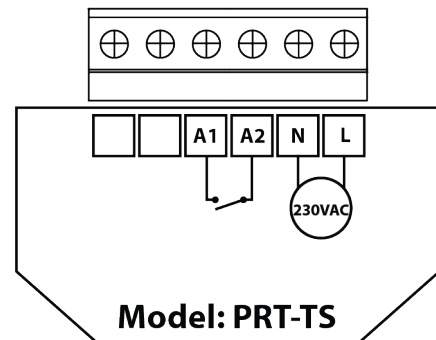
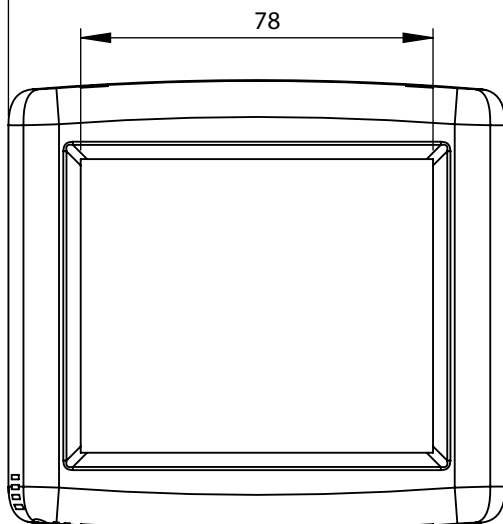
Feature Table

FEATURE	DESCRIPTION	SETTING
01	Temperature Format	00 = °C, 01 = °F (°C = Default)
02	Switching Differential	0.5° - 03°C (Default 1.0°C)
03	Frost Mode	00 = Disabled, 01 = Enabled (01 = Default)
04	Frost Protection Temperature	07° - 17°C (Default 12°C)
05	Output Delay	00 - 15 Minutes (00 = Default)
06	Communications ID No.	Not used on this model
07	Up/Down Temperature Limit	00° - 10°C (00 = Default)
08	Sensor Selection	Built in Sensor Only
09	Floor Temperature Limit	Not used on this model
10	Optimum Start	00 - 03 Hours (00 = Default)
11	Rate of Change	Minutes to raise by 1°C
12	Program Mode	00 = Weekday/Weekend, 01 = 7 Day Programming

Product Dimensions (mm) & Wiring Specification



Note: Fits standard 35mm depth back box



Wiring Detail

